

Pulse Red Flash Beacon

In a fire, everyone matters. Syncoln Pulse fire beacons ensure that all personnel are notified of fire emergencies. With Pulse Alert Technology™, buildings are evacuated quicker, evacuation requirements are unambiguous and everyone is made to feel safe and secure.



Features

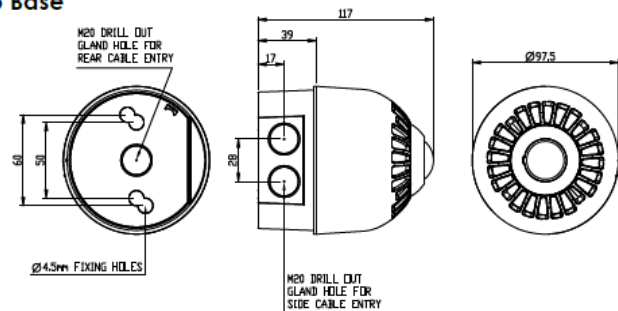
- EN54-23 compliant
- Wall and ceiling mount
- Wide coverage pattern
- Energy efficient, low current
- Sounder and beacon can be controlled separately

Applications - Fire; security; industrial alarm

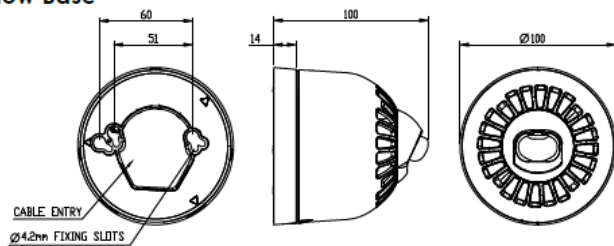
Specifications

Specifications	Beacons
Voltage	17-60V DC
Current @ 0.5Hz	20mA
Current @ 1Hz	40mA
Flash Colour	Red
Body Colour	Red
Ingress Protection	IP65 (Deep base)
Operating Temp.	-25°C to +70°C

Deep Base



Shallow Base



Feature	Benefit
Conforms to EN54-23	Exceeds the illumination requirements of EN54-23
Pulse Alert Technology™	Patented electronic design maximises system efficiency by minimising power consumption
Up to 8.9m coverage	Reduces the number of devices required; most rooms can be protected with a single device
Wire to base Technology	Installation is quick and simple with mounting and wiring made only to the base, the head
Simple upgrade	Syncoln Pulse VADs share the same base mounting and wiring as previous versions, making the
Optimum performance	Pulse Alert Technology enables the coverage pattern to be fixed at the optimum performance
Synchronised flash	Syncoln Pulse VADs protect everyone including people prone to photosensitive epilepsy
No surge current	Eliminates power surges during system start up
Weatherproof to IP65	Surpasses the Ingress Protection requirements of EN54-23 making them suitable for a wide variety of environmental conditions